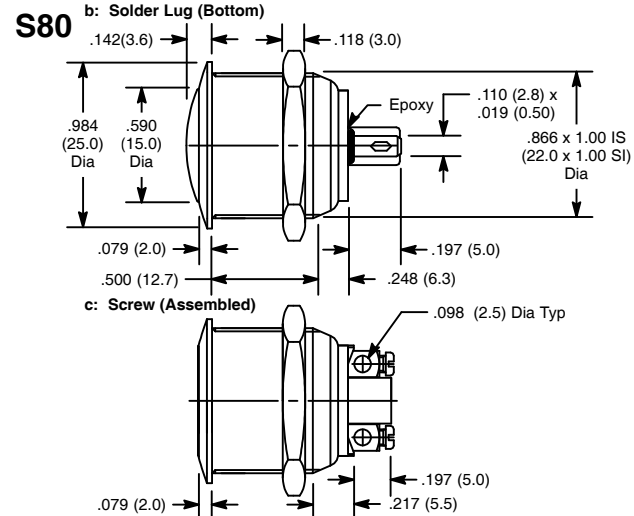


# Security Pushbutton, Single Pole



## Features

- .866" (22mm) bushing diameter



## Specifications

**Contact Rating:** 2A 48VDC max. (resistive load)  
**Initial Contact Resistance:** 10 Milliohms (max.) at 1A, 2V  
**Insulation Resistance:** 1000 Megohms (min.) at 500VDC  
**Dielectric Strength:** 2000V RMS (min.)  
**Temperature Rating:** -4°F to +131°F (-20°C to +55°C)  
**Electrical Life:** 10,000 cycles min. full load  
**Mechanical Life:** 1,000,000 cycles min.  
**Terminal Type:** Refer to Diag No. in Table  
**Mounting Hole:** .874 (22.2)

NTE Type No.	Circuitry	Action		Actuator	Diag No.
54-461	SPST-NO	OFF	(ON)	Nickel Plated Brass, Curved	S80c
54-462	SPST-NO	OFF	(ON)	Nickel Plated Brass, Curved	S80b
54-463	SPST-NO	OFF	(ON)	Nickel Plated Brass, Flat	S80c

SPECIAL NOTE: ( ) = Momentary Function